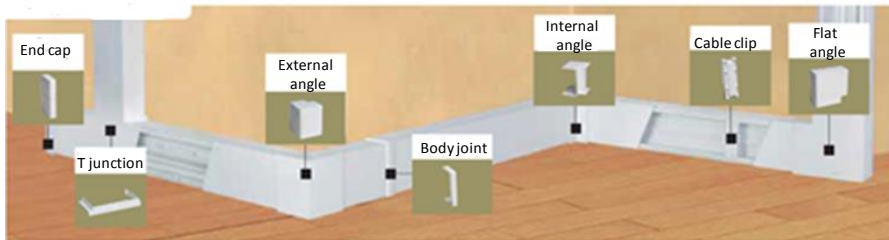


# Euroquint Trunkings

Numbers : 6 101 10/11/12/13/20/22/23 – 6 101  
 30/31/32/33/34/35/36/37/38 – 6 101 40/42/43/44/46/47 – 6 101  
 50/52/53/54/55/56/57 – 6 101 60/62/63/64/65/66/67 – 6 101  
 70/72/73/74/76/77 – 6 101 80/82/83/84/85 – 6 101  
 90/91/95/96/97



## SOMMAIRE

### PAGES

|                              |        |
|------------------------------|--------|
| 1. Range                     | 1      |
| 2. Finishing accessories     | 2 to 5 |
| 3. Others accessories...     | 6      |
| 4. Material characteristics  | 6      |
| 5. Technical characteristics | 7 to 8 |

## 1. RANGE

Euroquint trunkings system offers :

- the distribution of various cables in an electrical installation
- trunkings, finishing accessories (end cap, body joint, internal angle, external angle, flat angle, T junction)
- safety and technical performance compliant with standard NF EN 50085-2-1 (look page 7)
- a flexibility with the installation and maintenance

### 1.1. Euroquint trunkings

Color : white

Body(ies) delivered with cover(s) (only one reference)

Bodies & covers of Euroquint trunkings from 40x60 up to 60x200 sections are covered with a protective film against scratches, dust & paint.

Available in length of 2 m

Fixing by :

- gluing
- wall plugs for immediate fixing
- screw, nails...

Cutting with a saw (type metal saw)

Possibility of adaptation of movable separation partitions.

### 1.1. Euroquint trunkings (cont.)

| Trunkings numbers | Sections |  | Packaging |
|-------------------|----------|--|-----------|
| 6 101 10          | 25x40    |  | 48m       |
| 6 101 11          | 25x40 2c |  | 48m       |
| 6 101 20          | 40x40    |  | 32m       |
| 6 101 30          | 40x60    |  | 24m       |
| 6 101 31          | 40x60 2c |  | 24m       |
| 6 101 40          | 40x90    |  | 24m       |
| 6 101 50          | 40x110   |  | 20m       |
| 6 101 60          | 60x110   |  | 16m       |
| 6 101 70          | 60x150   |  | 16m       |
| 6 101 80          | 60x200   |  | 16m       |

# EUROQUINT Trunkings and FINISHING ACCESSORIES

Number(s) : 6 101 10/11/12/13/20/22/23 – 6 101 30/31/32/33/34/35/36/37/38 – 6 101 40/42/43/44/46/47 – 6 101 50/52/53/54/55/56/57 – 6 101 60/62/63/64/65/66/67 – 6 101 70/72/73/74/76/77 – 6 101 80/82/83/84/85 – 6 101 90/91/95/96/97

## 2. FINISHING ACCESSORIES

### 2.1. Inter/exter angles for 25x40 & 40x40 Euroquint Trunkings

White ref. nr 6 101 12/22

Allows junction in internal or external angle of two parts of same section trunkings :

- avoid the cut of miter on the mini-trunking
- respect of the degree protection
- aesthetics improves (covering of the cut and not or little extra thickness)

Assembly on the body by clipping.

Assembly on the trunking with or without separation or dividing partition.

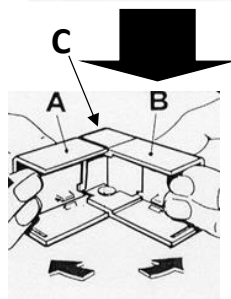
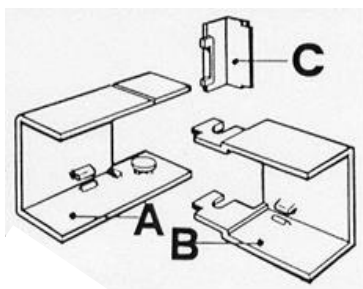
Allows to do internal angle of 90°

White color

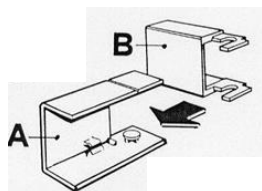
Selection chart :

| Numbers inter/exter angles | Sections | Packaging |
|----------------------------|----------|-----------|
| 6 101 12                   | 25x40    | 25        |
| 6 101 22                   | 40x40    | 20        |

Use Parts A-B-C for external angle



Use Parts A-B for internal angle



## 2. FINISHING ACCESSORIES (cont.)

### 2.2. Flat angles/end cap/Body joint/T junction for 25x40 & 40x40 Euroquint Trunkings

White ref. nr 6 101 13/23

Allows junction in flat angle of two parts of same section trunkings :

Allows also to make end cap/body joint/T junction

- avoid the cut of miter on the mini-trunking
- respect of the degree protection
- aesthetics improves (covering of the cut and not or little extra thickness)

Assembly on the body by clipping.

Assembly on the trunking with or without separation or dividing partition.

Allows to do flat angle of 90°

White color

Selection chart :

| Numbers flat angle/end cap/body joint/T junction | Sections | Packaging |
|--|----------|-----------|
| 6 101 13   | 25x40    | 25        |
| 6 101 23   | 40x40    | 20        |

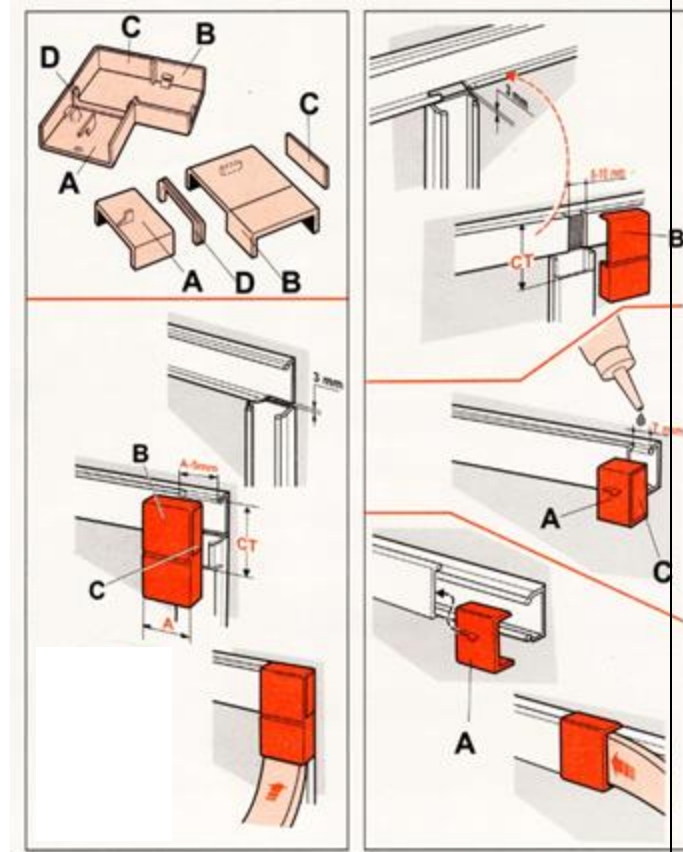
Use Parts for :

Flat angle : A/B/C/D

End cap : A/C

Body joint : A

T junction : B



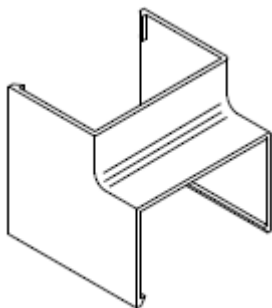
# EUROQUINT Trunkings and FINISHING ACCESSORIES

Number(s) : 6 101 10/11/12/13/20/22/23 – 6 101 30/31/32/33/34/35/36/37/38 – 6 101 40/42/43/44/46/47 – 6 101 50/52/53/54/55/56/57 – 6 101 60/62/63/64/65/66/67 – 6 101 70/72/73/74/76/77 – 6 101 80/82/83/84/85 – 6 101 90/91/95/96/97

## 2. FINISHING ACCESSORIES

### 2.3. Internal angles for 40x60 to 60x200 Euroquint trunkings

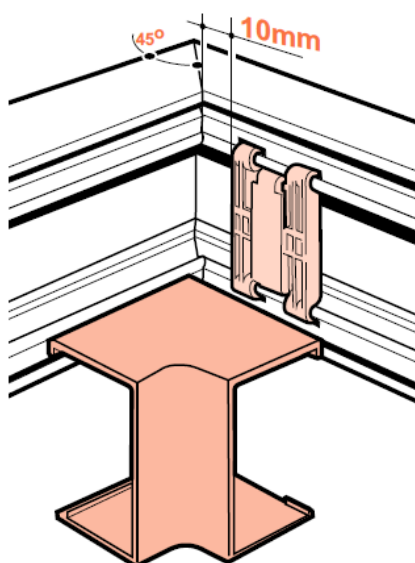
White ref. nr. 6 101 34/44/54/64/74/84



Allows junction in internal angle of two parts of same section trunkings :  
 - avoid the cut of miter on the mini-trunking  
 - respect of the degree protection  
 - aesthetics improves (covering of the cut and not or little extra thickness)  
 Assembly on the body by clipping.  
 Assembly on the trunking with or without separation or dividing partition.  
 Allows to do internal angle of 90°  
 White color

Selection chart des Internal angles blanc :

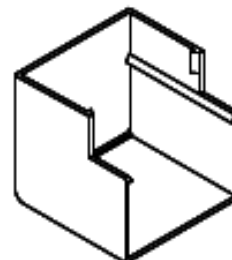
| Internal angle numbers | Sections | Packaging |
|------------------------|----------|-----------|
| 6 101 34               | 40x60    | 4         |
| 6 101 44               | 40x90    | 4         |
| 6 101 54               | 40x110   | 4         |
| 6 101 64               | 60x110   | 4         |
| 6 101 74               | 60x150   | 4         |
| 6 101 84               | 60x200   | 4         |



## 2. FINISHING ACCESSORIES (cont.)

### 2.4. External angles for 40x60 to 60x200 Euroquint trunkings

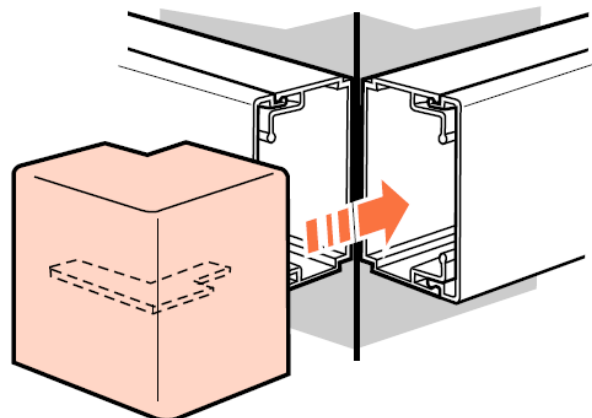
White ref. nr. 6 101 33/43/53/63/73/83



Allows junction in external angle of two parts of same section trunkings :  
 - avoid the cut of miter on the mini-trunking  
 - respect of the degree protection  
 - aesthetics improves (covering of the cut and not or little extra thickness)  
 Assembly on the body by clipping.  
 Assembly on the trunking with or without separation or dividing partition.  
 Allows to do external angle of 90°  
 White color

Selection chart des External angles blanc :

| External angle numbers | Sections | Packaging |
|------------------------|----------|-----------|
| 6 101 33               | 40x60    | 4         |
| 6 101 43               | 40x90    | 4         |
| 6 101 53               | 40x110   | 4         |
| 6 101 63               | 60x110   | 4         |
| 6 101 73               | 60x150   | 4         |
| 6 101 83               | 60x200   | 4         |



# EUROQUINT Trunkings and FINISHING ACCESSORIES

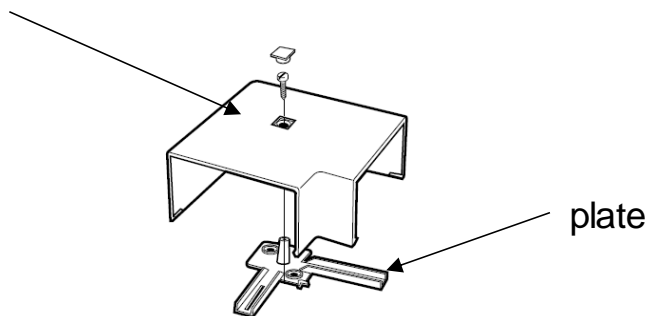
Number(s) : 6 101 10/11/12/13/20/22/23 – 6 101 30/31/32/33/34/35/36/37/38 – 6 101 40/42/43/44/46/47 – 6 101 50/52/53/54/55/56/57 – 6 101 60/62/63/64/65/66/67 – 6 101 70/72/73/74/76/77 – 6 101 80/82/83/84/85 – 6 101 90/91/95/96/97

## 2. FINISHING ACCESSORIES (cont.)

### 2.5. Flat angles for 40x60 to 60x200 Euroquint trunkings

White ref. nr.6 101 32/42/52/62/72/82

cover



Allows junction in flat angle of two parts of same section trunkings :

- avoid the cut of miter on the mini-trunking
- respect of the degree protection
- aesthetics improves (covering of the cut and not or little extra thickness)

Assembly of the plate on the wall and assembly of the cover by clipping and screwing.

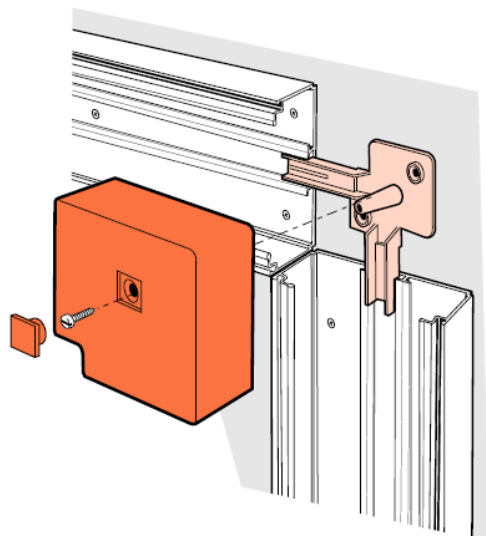
Assembly on the trunking with or without separation or dividing partition.

Allows to do flat angle of 90°

White color

Selection chart :

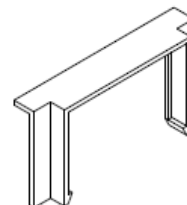
| Flat angle numbers | Sections | Packaging |
|--------------------|----------|-----------|
| 6 101 32           | 40x60    | 4         |
| 6 101 42           | 40x90    | 4         |
| 6 101 52           | 40x110   | 4         |
| 6 101 62           | 60x110   | 4         |
| 6 101 72           | 60x150   | 4         |
| 6 101 82           | 60x200   | 4         |



## 2. FINISHING ACCESSORIES (cont.)

### 2.6. T junctions for 40x60 to 60x150 Euroquint trunkings

White ref. nr.6 101 37/47/57/67/77



Allows T junction of two trunkings :

- avoid the cut of miter on the mini-trunking
- respect of the degree protection
- aesthetics improves (covering of the cut and not or little extra thickness)

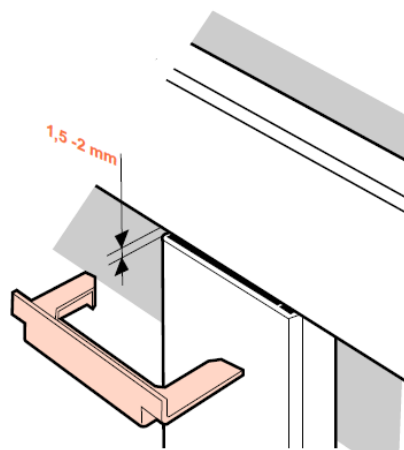
Assembly on the body by clipping.

Assembly on the trunking with or without separation or dividing partition.

White color

Selection chart :

| T junction numbers | Sections | Packaging |
|--------------------|----------|-----------|
| 6 101 37           | 40x60    | 10        |
| 6 101 47           | 40x90    | 10        |
| 6 101 57           | 40x110   | 10        |
| 6 101 67           | 60x110   | 10        |
| 6 101 77           | 60x150   | 10        |



# EUROQUINT Trunkings and FINISHING ACCESSORIES

Number(s) : 6 101 10/11/12/13/20/22/23 – 6 101 30/31/32/33/34/35/36/37/38 – 6 101 40/42/43/44/46/47 – 6 101 50/52/53/54/55/56/57 – 6 101 60/62/63/64/65/66/67 – 6 101 70/72/73/74/76/77 – 6 101 80/82/83/84/85 – 6 101 90/91/95/96/97

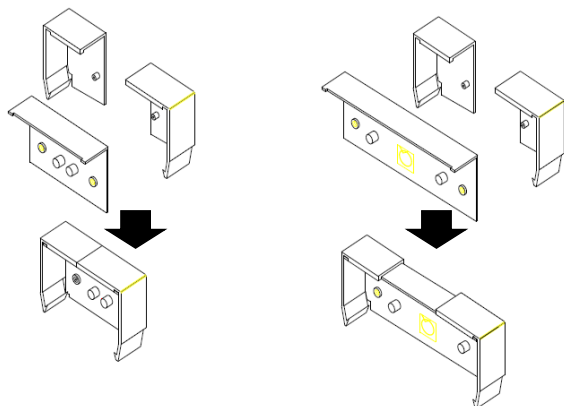
## 2. FINISHING ACCESSORIES.

### 2.7. End cap for 40x60 to 60x200 Euroquint trunkings

White ref. nr.6 101 35/55/65/85

60x40 et 90x40

110x40

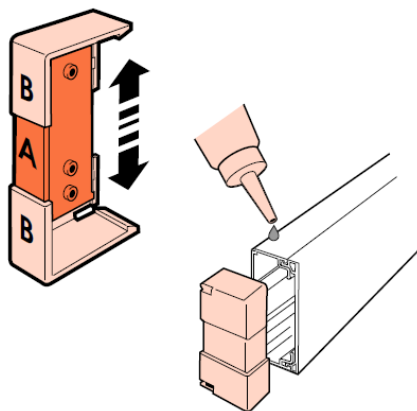


Allows to block the end of the trunking body  
 - respect of the protection degree  
 - improvement of aesthetics (covering of the cut)  
 Assembly on the trunking body by clipping by the front.

White color

Selection chart :

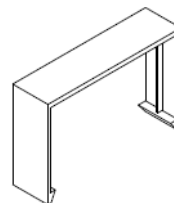
| End cap numbers | Sections   | Packaging |
|-----------------|------------|-----------|
| 6 101 35        | 40x60/90   | 4         |
| 6 101 55        | 40x110     | 4         |
| 6 101 65        | 60x110/150 | 4         |
| 6 101 85        | 60x200     | 4         |



## 2. FINISHING ACCESSORIES (cont.)

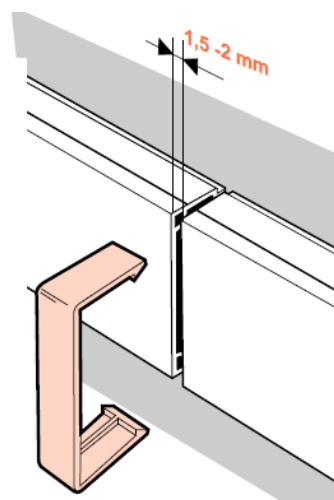
### 2.8. Body joints for 40x60 to 60x150 Euroquint trunkings

White ref. nr. 6 101 36/46/56/66/76



Allows the junction end to end of two trunkings bodies :  
 - respect of the degree protection  
 - to improve aesthetics (covering of the cut)

Assembly by clipping on trunking



White color

Selection chart :

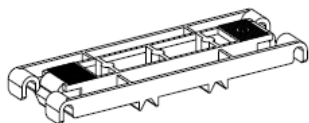
| Body joint numbers | Sections | Packaging |
|--------------------|----------|-----------|
| 6 101 36           | 40x60    | 10        |
| 6 101 46           | 40x90    | 10        |
| 6 101 56           | 40x110   | 10        |
| 6 101 66           | 60x110   | 8         |
| 6 101 76           | 60x150   | 8         |

# Profils de Distribution DLP-D et FINISHING ACCESSORIES.

Number(s) : 6 101 10/11/12/13/20/22/23 – 6 101  
30/31/32/33/34/35/36/37/38 – 6 101 40/42/43/44/46/47 – 6 101  
50/52/53/54/55/56/57 – 6 101 60/62/63/64/65/66/67 – 6 101  
70/72/73/74/76/77 – 6 101 80/82/83/84/85 – 6 101  
90/91/95/96/97

## 3. OTHERS ACCESSORIES

### 3.1. Cable clip ref number 6 101 38



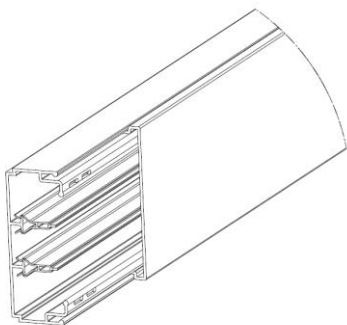
Allows cable grip

Assembly on trunking body by clipping

White color

Packaging by 25 peaces

### 3.2. Separation Partitions ref nr 6 1014 90/91



Available in length of 2m.

Allows separation between different type of current types de courants  
(power, data,...)

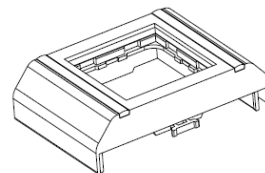
Assembly on trunking body by clipping.

White color

| Separation partition numbers | Packaging | For trunking height | Assembly on Euroquint trunkings numbers |
|------------------------------|-----------|---------------------|---|
| 6 101 90                     | 72m       | H40                 | 6 101 40/50                             |
| 6 101 91                     | 60m       | H60                 | 6 101 60/70/80                          |

## 3. OTHERS ACCESSORIES (cont.)

### 3.3. Modular Wiring device frames ref nr 6 101 95/96/97



Allows to adapt modular wiring devices.

Assembly by clipping on trunking.

| Modular Wiring devices frames numbers | Packaging | Assembly on Euroquint trunkings numbers |
|---------------------------------------|-----------|---|
| 6 101 95                              | 4         | 6 101 40                                |
| 6 101 96                              | 10        | 6 101 50/60                             |
| 6 101 97                              | 10        | 6 101 70                                |

## 4. MATERIAL CHARACTERISTICS

Trunkings, partitions and covers : PVC white color

Finishing accessories : ABS white color

# Profils de Distribution DLP-D et FINISHING ACCESSORIES.

Number(s) : 6 101 10/11/12/13/20/22/23 – 6 101  
30/31/32/33/34/35/36/37/38 – 6 101 40/42/43/44/46/47 – 6 101  
50/52/53/54/55/56/57 – 6 101 60/62/63/64/65/66/67 – 6 101  
70/72/73/74/76/77 – 6 101 80/82/83/84/85 – 6 101  
90/91/95/96/97

## 5. TECHNICAL CHARACTERISTICS (page à revoir avec J.L. CHARTIER)

Classification des systèmes Profilé Euroquint suivant EN 50085-2-1.

|  |   |
|--|---|
| 6.2 Résistance aux chocs pendant l'installation et l'usage | 2.0J  |
| 6.3 Température minimale de stockage et de transport       | - 25°C  |
| 6.3 Température minimale d'installation et d'usage         | + 15°C  |
| 6.3 Température minimale d'usage                           | + 60°C  |
| 6.4 Résistance à la propagation de la flamme               | Non propagateur   |
| 6.5 Continuité électrique                                  | Sans continuité   |
| 6.6 Caractère électriquement isolant                       | Electriquement isolant  |
| 6.7 Degré de protection de l'enveloppe                     | IP 3XD  |
| 6.9 Mode d'ouverture                                       | Avec un outil   |
| 6.101 Conditions d'installation                            | Saillie fixé au mur<br>Saillie fixé au plafond<br>Saillie fixé au mur et soutenu par le sol (15mm mini)<br>Fixé au mur et supporté par une surface horizontale autre que le sol |
| 6.102 Fonctions procurées                                  | Type 2 voir tableau ci-dessous  |
| Tension assignée   | 500 V   |
| Protection contre les chocs mécaniques                     | IK 07   |

Tableau de composition des systèmes Profilés EUROQUINT suivant EN 50085-2-1 coloris Blanc :

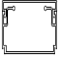

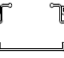
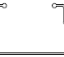
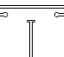





| Dimension Blanc |      | Profilé à cloison | Profilé ss cloison | AI       | AE       | AP       | Embout   | Joint CV | Cloison  | Té       |
|-----------------|------|-------------------|--------------------|----------|----------|----------|----------|----------|----------|----------|
| Matière         | Type | PVC               | PVC                | ABS      | ABS      | ABS      | ABS      | ABS      | ABS      | ABS      |
| 25x40           | 2    | 6 101 11          | 6 101 10           | 6 101 12 | 6 101 12 | 6 101 13 | 6 101 13 | 6 101 13 | -        | 6 101 13 |
| 40x40           | 2    | -                 | 6 101 20           | 6 101 22 | 6 101 22 | 6 101 23 | 6 101 23 | 6 101 23 | -        | 6 101 23 |
| 40x60           | 2    | 6 101 31          | 6 101 30           | 6 101 34 | 6 101 33 | 6 101 32 | 6 101 35 | 6 101 36 | -        | 6 101 37 |
| 40x90           | 2    | -                 | 6 101 40           | 6 101 44 | 6 101 43 | 6 101 42 | 6 101 35 | 6 101 46 | 6 101 90 | 6 101 47 |
| 40x110          | 2    | -                 | 6 101 50           | 6 101 54 | 6 101 53 | 6 101 52 | 6 101 55 | 6 101 56 | 6 101 90 | 6 101 57 |
| 60x110          | 2    | -                 | 6 101 60           | 6 101 64 | 6 101 63 | 6 101 62 | 6 101 65 | 6 101 66 | 6 101 91 | 6 101 67 |
| 60x150          | 2    | -                 | 6 101 70           | 6 101 74 | 6 101 73 | 6 101 72 | 6 101 65 | 6 101 76 | 6 101 91 | 6 101 77 |
| 60x200          | 2    | -                 | 6 101 80           | 6 101 84 | 6 101 83 | 6 101 82 | 6 101 85 | -        | 6 101 91 | -        |

# Profils de Distribution DLP-D et FINISHING ACCESSORIES.

Number(s) : 6 101 10/11/12/13/20/22/23 – 6 101  
30/31/32/33/34/35/36/37/38 – 6 101 40/42/43/44/46/47 – 6 101  
50/52/53/54/55/56/57 – 6 101 60/62/63/64/65/66/67 – 6 101  
70/72/73/74/76/77 – 6 101 80/82/83/84/85 – 6 101  
90/91/95/96/97

## 5. TECHNICAL CHARACTERISTICS (cont.)

Wiring capacity

| EUROQUINT  |                      |         |          |                     |                     |                   |                   |                       |                       |                 |
|--|----------------------|---------|----------|---------------------|---------------------|-------------------|-------------------|-----------------------|-----------------------|-----------------|
| Dimensions   | Compartments numbers | Section | Capacity | 1,5 mm <sup>2</sup> | 2,5 mm <sup>2</sup> | 4 mm <sup>2</sup> | 6 mm <sup>2</sup> | 3x1,5 mm <sup>2</sup> | 3x2,5 mm <sup>2</sup> | UTP & FTP CAT.6 |
| 25x40 1 comp<br>                | 1                    | 680     | Maxi     | 41                  | 30                  | 26                | 19                | 6                     | 4                     | 13              |
| 25x40 2 comp<br>                | 2                    | 305     | Maxi     | 18                  | 13                  | 12                | 8                 | 2                     | 1                     | 6               |
|  |                      | 305     | Maxi     | 18                  | 13                  | 12                | 8                 | 2                     | 1                     | 6               |
| 40x40<br>                       | 1                    | 1180    | Maxi     | 71                  | 53                  | 46                | 34                | 10                    | 7                     | 23              |
| 60x40<br>                       | 1                    | 1853    | Maxi     | 112                 | 83                  | 73                | 53                | 16                    | 12                    | 37              |
| 60x40 (2comp) <sup>1</sup><br> | 2                    | 884     | Maxi     | 53                  | 39                  | 34                | 25                | 7                     | 5                     | 17              |
|  |                      | 884     | Maxi     | 53                  | 39                  | 34                | 25                | 7                     | 5                     | 17              |
| 90x40<br>                     | 1                    | 2793    | Maxi     | 169                 | 125                 | 110               | 81                | 24                    | 18                    | 55              |
| 110x40<br>                    | 1                    | 3532    | Maxi     | 214                 | 158                 | 139               | 102               | 31                    | 23                    | 70              |
| 110x60<br>                    | 1                    | 5612    | Maxi     | 340                 | 252                 | 221               | 163               | 49                    | 36                    | 112             |
| 150x6<br>                     | 1                    | 7573    | Maxi     | 459                 | 340                 | 298               | 220               | 67                    | 49                    | 151             |
| 200x60<br>                    | 1                    | 10179   | Maxi     | 617                 | 457                 | 401               | 296               | 90                    | 66                    | 203             |